




Pressure regulator, Series MU1-RGS

- G 1/2
- Qn = 5000 l/min
- Standard pressure regulator
- Activation Mechanical
- suitable for ATEX



Parts	Pressure regulator
Mounting orientation	Any
Certificates	suitable for ATEX
Working pressure min./max.	0,5 ... 30 bar
Ambient temperature min./max.	-10 ... 80 °C
Medium temperature min./max.	-10 ... 80 °C
Medium	Compressed air Neutral gases
Regulator type	Diaphragm-type pressure regulator
Regulator function	with relieving air exhaust
Adjustment range min./max.	See table below
Pressure supply	single
Activation	Mechanical
Weight	1,2 kg

Technical data

Part No.		Port	Flow	Adjustment range min./max.	Pressure gauge
			Qn		
R412004371		G 1/2	5000 l/min	0,5 ... 16 bar	with pressure gauge
R412007578		G 1/2	5000 l/min	0,5 ... 16 bar	-
9153320160		G 1/2	5000 l/min	0,5 ... 10 bar	-

Nominal flow Qn with secondary pressure p2 = 6 bar at Δp = 1 bar

Suitable for use in Ex zones 1, 2, 21, 22

Technical information

The pressure dew point must be at least 15 °C under ambient and medium temperature and may not exceed 3 °C .

Mounting: panel installation or mounting bracket R412004872

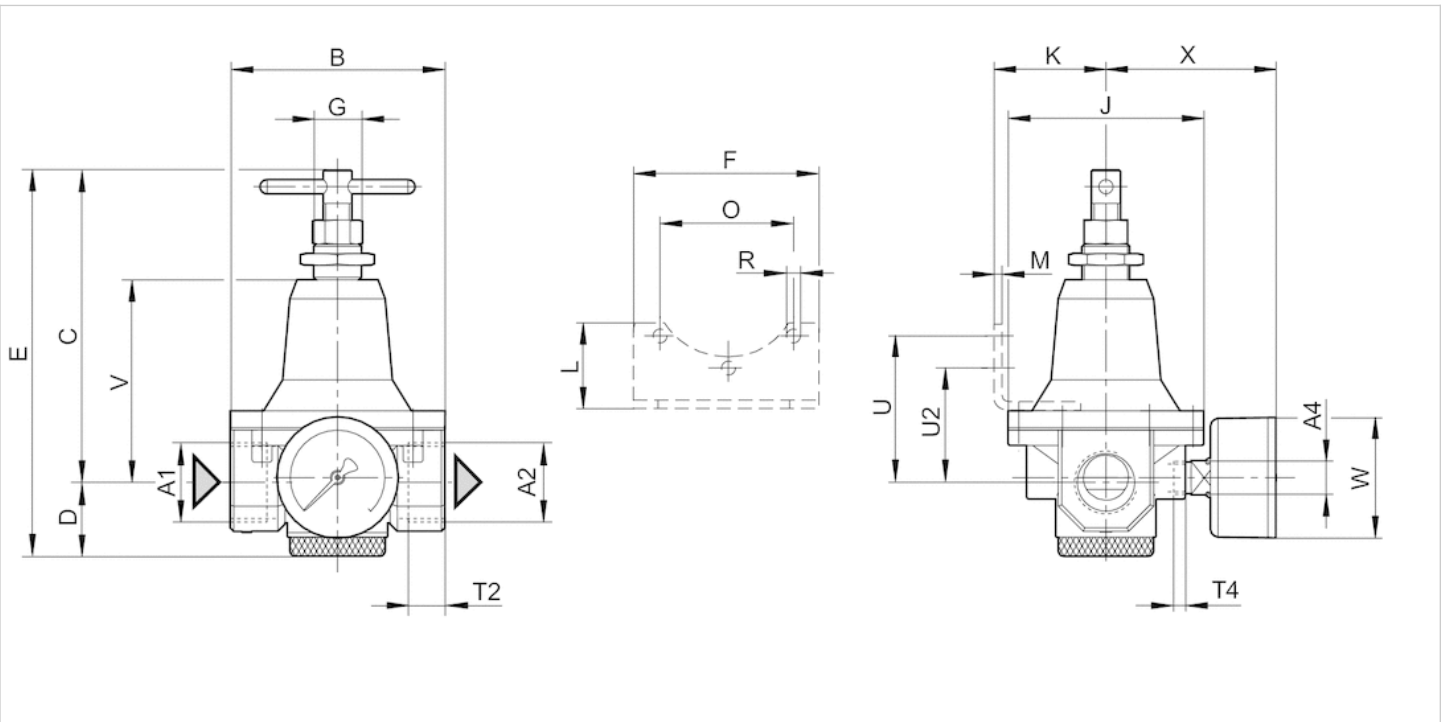
Suitable for use in Ex zones 1, 2, 21, 22

Technical information

Material	
Housing	Die cast zinc
Seals	Acrylonitrile butadiene rubber

Dimensions

Dimensions

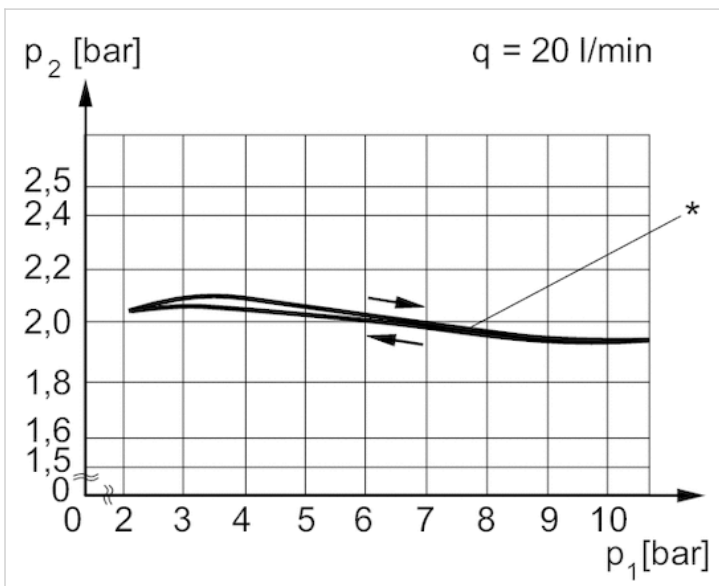


Dimensions

A1	A2	A4	B	C	D	E	F	G	J	K	L	M	O	R	U	U2	T2	T4	V	W	X
G 1/2	G 1/2	G 1/4	82	129	31	162	124	M20x1,5	82	47	38	3	53.6	6	58	45	14	7	83	63	72

Diagrams

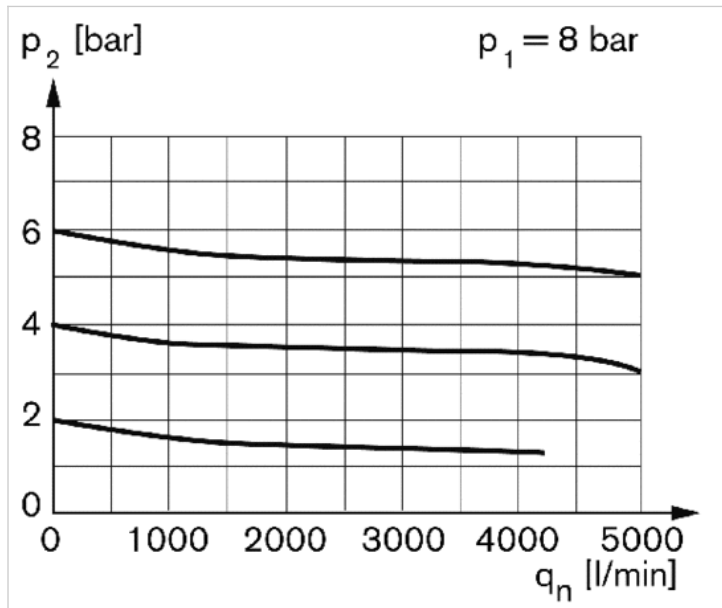
Pressure characteristics curve



p_1 = working pressure
 p_2 = secondary pressure

q = flow rate
* starting point

Flow rate characteristic (secondary range p₂: 0.5 - 10 bar)



p₁ = Working pressure
p₂ = Secondary pressure
q_n = Nominal flow