

3/2-directional valve, Series 563

- 3/2
- Qn = 1350 l/min
- Plate connection
- Electrical connection : Plug, Form B, industry
- Manual override : with detent
- Pilot : External, Internal



Version	Poppet valve
Activation	Electrically
Working pressure min./max.	3,5 ... 10 bar
Control pressure min./max.	3,5 ... 10 bar
Ambient temperature min./max.	-20 ... 50 °C
Medium temperature min./max.	-20 ... 50 °C
Medium	Compressed air
Max. particle size	5 µm
Oil content of compressed air	0 ... 5 mg/m ³
Nominal flow Qn	1350 l/min
Duty cycle	100 %
Weight	0,38 kg

Technical data

Part No.	MO	Compressed air connection		Operational voltage
		Input		DC
5633011330		G 1/4		-
5633011340		G 1/4		24 V
5633050100		G 1/4		24 V
5633011320		G 1/4		-
5633011310		G 1/4		-
5633010000		G 1/4		-

Part No.	Operational voltage		Voltage tolerance
	AC 50 Hz	AC 60 Hz	DC
5633011330	24 V	-	-
5633011340	-	-	-10% / +10%
5633050100	-	-	-10% / +10%
5633011320	-	110 V	-
5633011310	230 V	-	-
5633010000	-	-	-

Part No.	Voltage tolerance		Power consumption	Holding power
	AC 50 Hz	AC 60 Hz	DC	AC 50 Hz
5633011330	-10% / +10%	-	-	8 VA
5633011340	-	-	5 W	-
5633050100	-	-	2 W	-
5633011320	-	-10% / +10%	-	-
5633011310	-10% / +10%	-	-	8 VA

Part No.	Voltage tolerance	Voltage tolerance	Power consumption	Holding power
	AC 50 Hz	AC 60 Hz	DC	AC 50 Hz
5633010000	-	-	-	-

Part No.	Holding power	Switch-on power	Switch-on power	Pilot
	AC 60 Hz	AC 50 Hz	AC 60 Hz	
5633011330	-	10 VA	-	External, Internal
5633011340	-	-	-	External, Internal
5633050100	-	-	-	External, Internal
5633011320	8 VA	-	10 VA	External, Internal
5633011310	-	10 VA	-	External, Internal
5633010000	-	-	-	-

Part No.	Protection class	basic valve with electrical connector	Power consumption
	with connection		
5633011330	IP65	-	-
5633011340	IP65	-	-
5633050100	IP65	-	Low power consumption
5633011320	IP65	-	-
5633011310	IP65	-	-
5633010000	-	Basic valve without coil	-

Nominal flow Q_n at 6 bar and $\Delta p = 1$ bar, MO = Manual override

Technical information

The min. control pressure must be adhered to, since otherwise faulty switching and valve failure may result!

The pressure dew point must be at least 15 °C under ambient and medium temperature and may not exceed 3 °C .

The oil content of compressed air must remain constant during the life cycle.

Use only the approved oils from AVENTICS. Further information can be found in the "Technical information" document (available in the MediaCentre).

Min./max. operating pressure for external pilot: - 1 bar / 10 bar

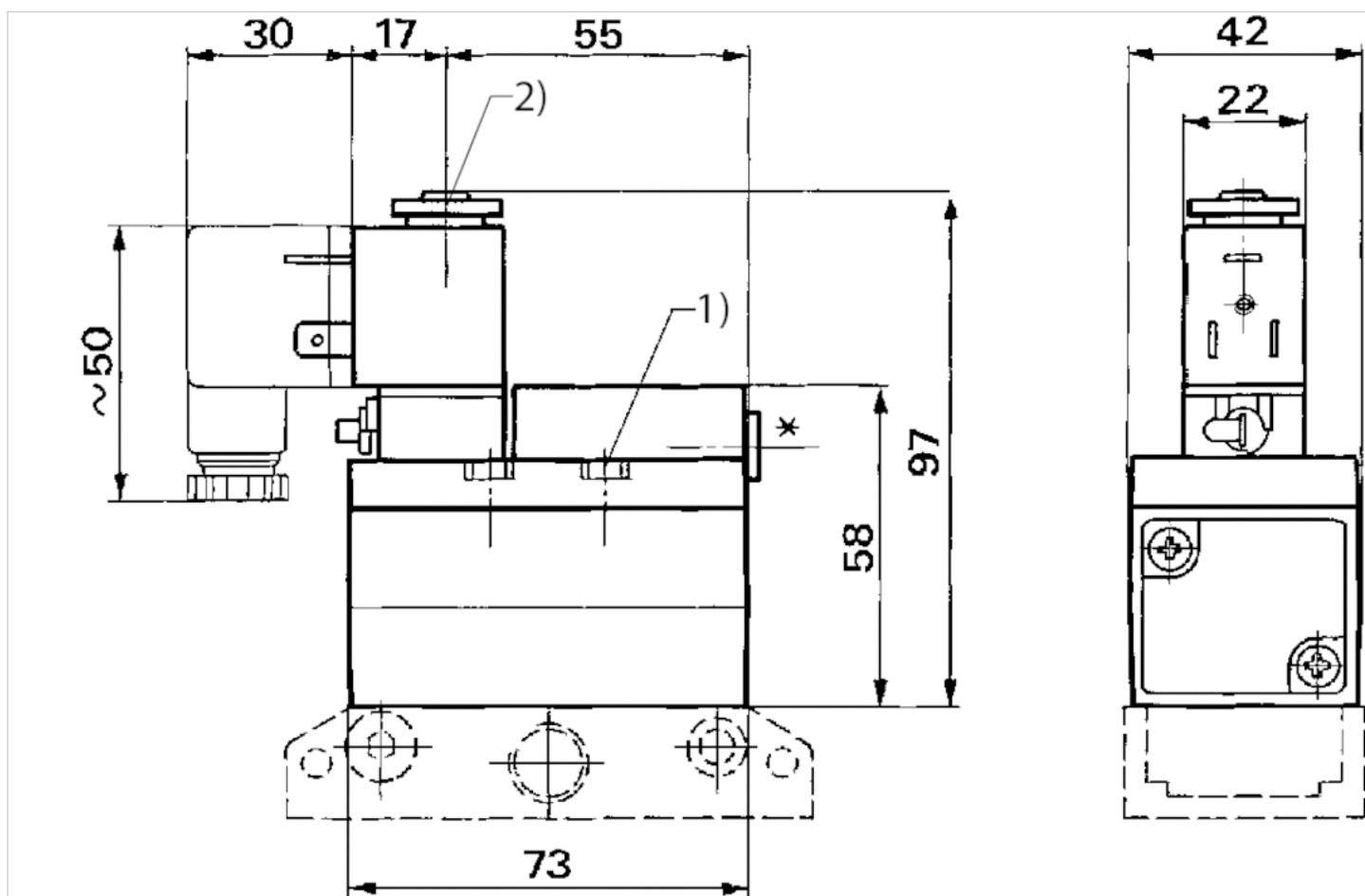
The valves can be energized via the port closed with a plug on the front side of the cover.

Technical information

Material	
Housing	Aluminum
Seals	Acrylonitrile butadiene rubber

Dimensions

Dimensions



1) Tightening torque for mounting screws: 2.7 ± 0.3 Nm

2) Tightening torque for lock nut: 1 ± 0.2 Nm

Base plate not included in the scope of delivery

* Plugged port G 1/8 for external pilot