

5/2-directional valve, Series CD07

- Qn = 1200 l/min
- Compressed air connection output G 1/4
- Pipe connection
- suitable for ATEX



Version	Spool valve, positive overlapping
Activation	Mechanical
Switching principle	5/2
Sealing principle	Soft sealing
Nominal flow Qn	1200 l/min
Working pressure min./max.	-0,95 ... 10 bar
Control pressure min./max.	See table below
Ambient temperature min./max.	-25 ... 80 °C
Medium temperature min./max.	-25 ... 80 °C
Medium	Compressed air
Max. particle size	50 µm
Oil content of compressed air	0 ... 1 mg/m³
Weight	See table below

Technical data

Part No.	Actuating element	Compressed air connection	
		Input	Output
5634600100	Plunger	G 1/4	G 1/4
5634610100	Roller	G 1/4	G 1/4
5634630100	Hand lever, with detent, without detent	G 1/4	G 1/4
5634640100	Hand lever	G 1/4	G 1/4
5634650100	Rotary lever, with detent	G 1/4	G 1/4
5634660100	Button	G 1/4	G 1/4
5634669200	Button	G 1/4	G 1/4

Part No.	Compressed air connection	
	Output	Exhaust
5634600100	G 1/4	G 1/4
5634610100	G 1/4	G 1/4
5634630100	G 1/4	G 1/4
5634640100	G 1/4	G 1/4
5634650100	G 1/4	G 1/4
5634660100	G 1/4	G 1/4
5634669200	G 1/4	G 1/4

Part No.	Compressed air connection		Operating force	Control pressure min./max.
	Pilot control exhaust	min.		
5634600100	-	70 N	-	
5634610100	-	40 N	-	
5634630100	-	20 N	-	
5634640100	-	15 N	-	
5634650100	-	15 N	-	
5634660100	-	70 N	-	

Part No.	Compressed air connection	Operating force	Control pressure min./max.
	Pilot control exhaust	min.	
5634669200	G 1/8	80 N	5 ... 10 bar

Part No.	Housing material	Material actuating control	Weight
5634600100	Die cast zinc Polyamide, fiber-glass reinforced	Stainless steel	0,54 kg
5634610100	Die cast zinc Polyamide, fiber-glass reinforced	Stainless steel	0,59 kg
5634630100	Die cast zinc Polyamide, fiber-glass reinforced	Polyoxymethylene	0,62 kg
5634640100	Die cast zinc Polyamide, fiber-glass reinforced	Polyoxymethylene	0,59 kg
5634650100	Die cast zinc Polyamide, fiber-glass reinforced	Polyoxymethylene	0,64 kg
5634660100	Die cast zinc Polyamide, fiber-glass reinforced	Polyoxymethylene	0,54 kg
5634669200	Die cast zinc	Polyoxymethylene	0,54 kg

Part No.	Fig.
5634600100	Fig. 1
5634610100	Fig. 2
5634630100	Fig. 3
5634640100	Fig. 4
5634650100	Fig. 5
5634660100	Fig. 6
5634669200	Fig. 7

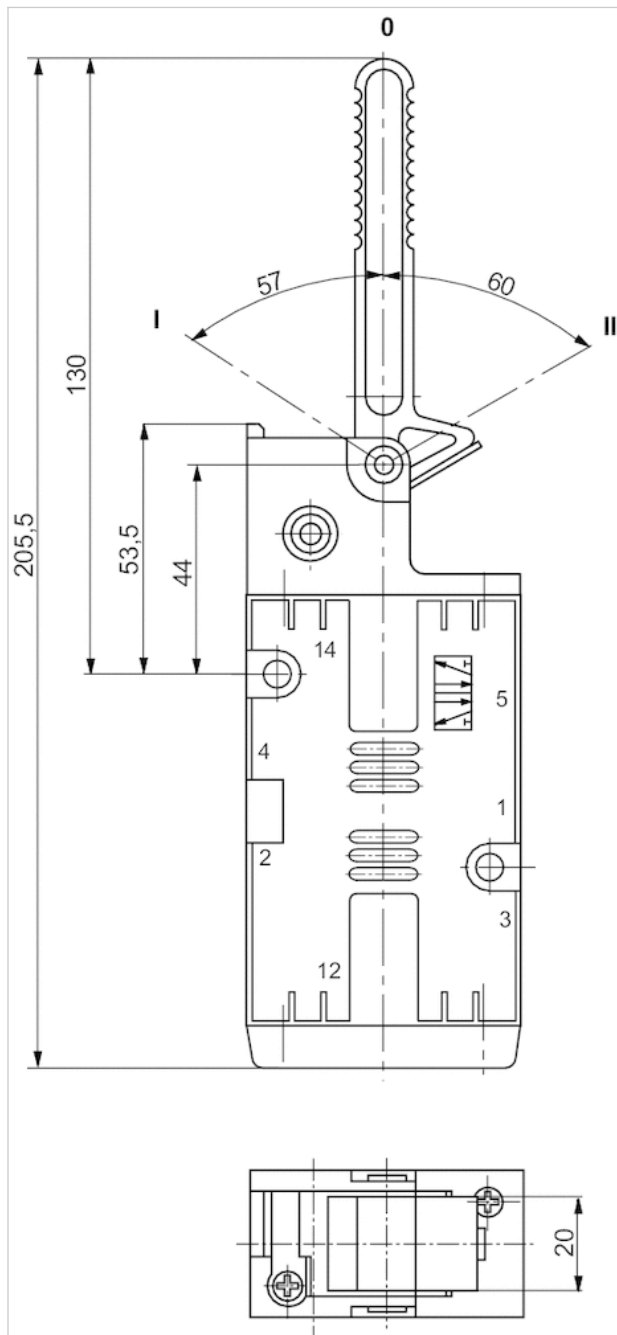
Nominal flow Q_n at 6 bar and $\Delta p = 1$ bar

Technical information

Material	
Housing	Die cast zinc Polyamide, fiber-glass reinforced Die cast zinc
Seals	Acrylonitrile butadiene rubber
Actuating element	Stainless steel Polyoxymethylene

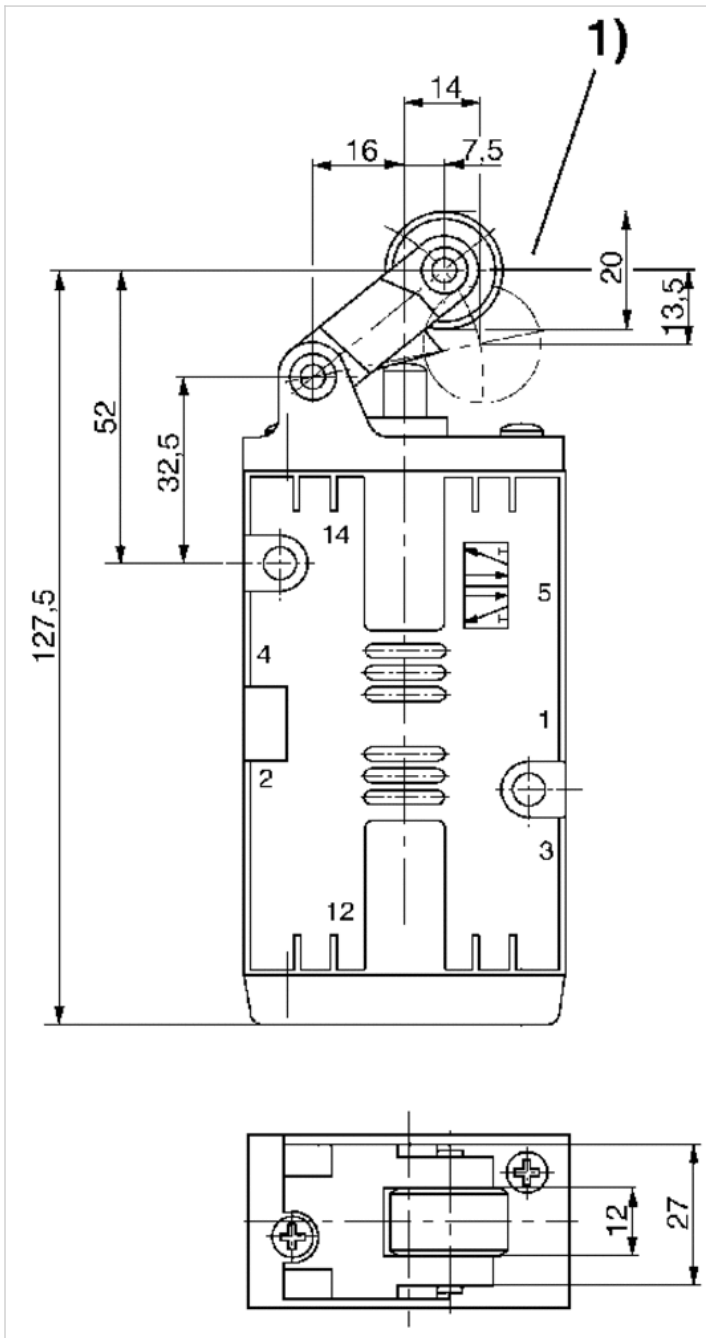
Dimensions

Dimensions Fig. 2



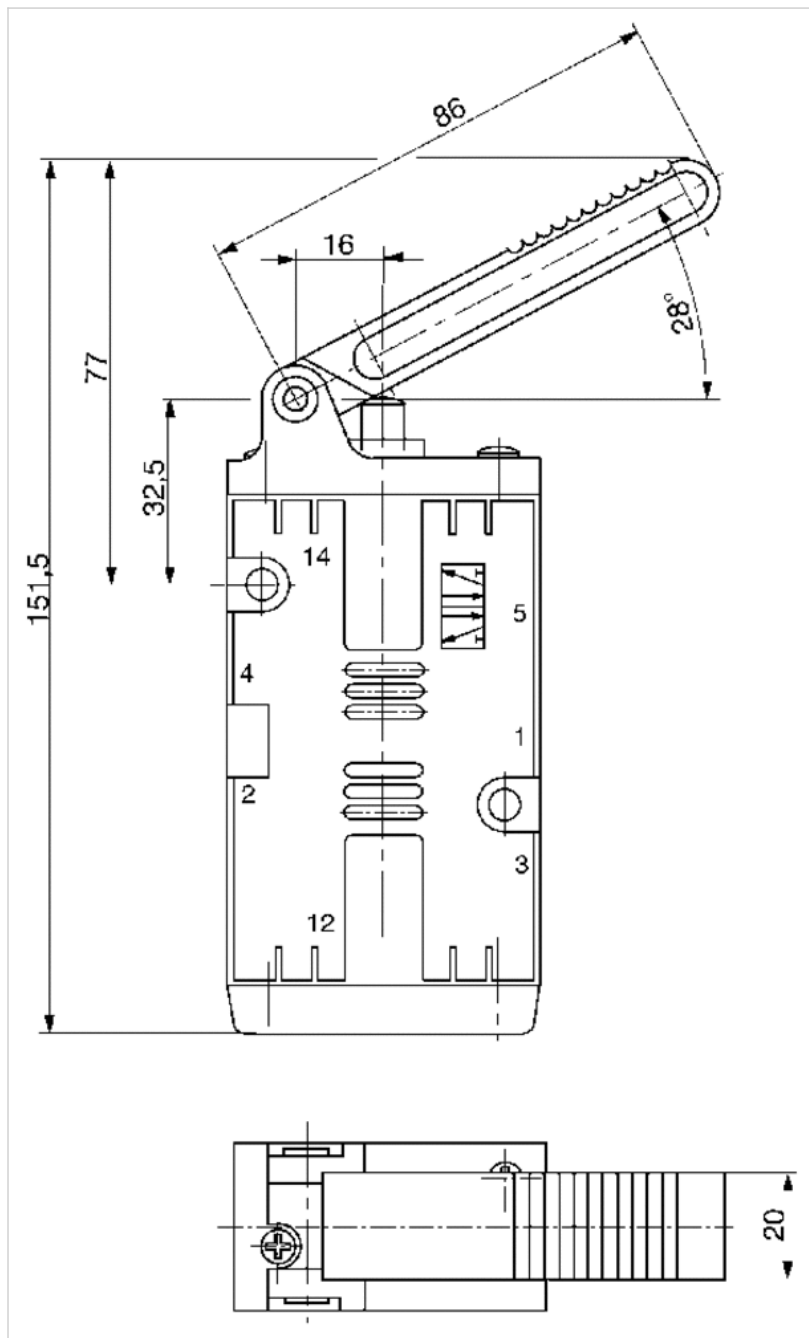
1) approach angle of rollers max. 30°

Dimensions Fig. 3

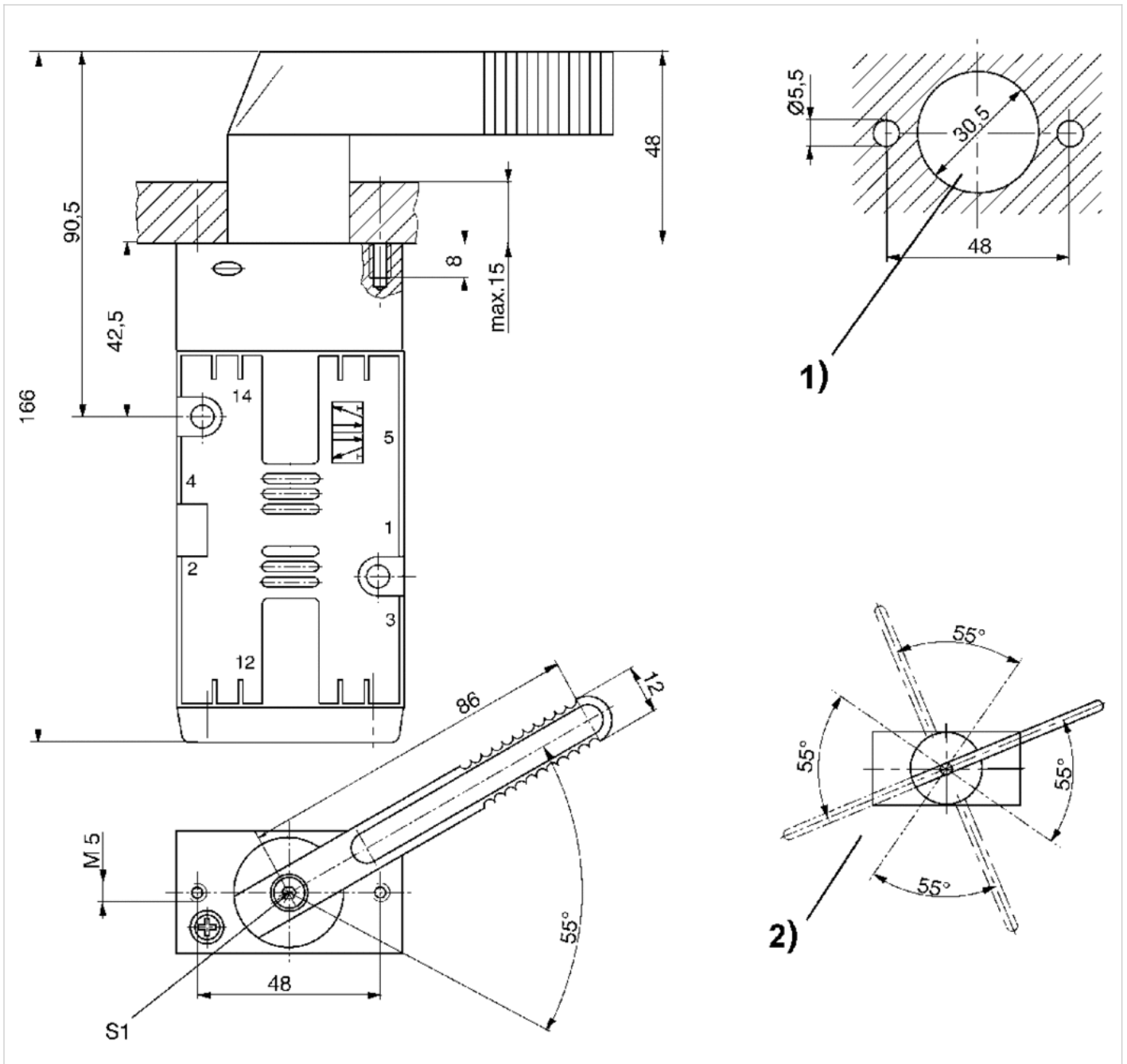


Position 0: initial position, position I: with detent, manual return, position II: automatic spring return.

Dimensions Fig. 4



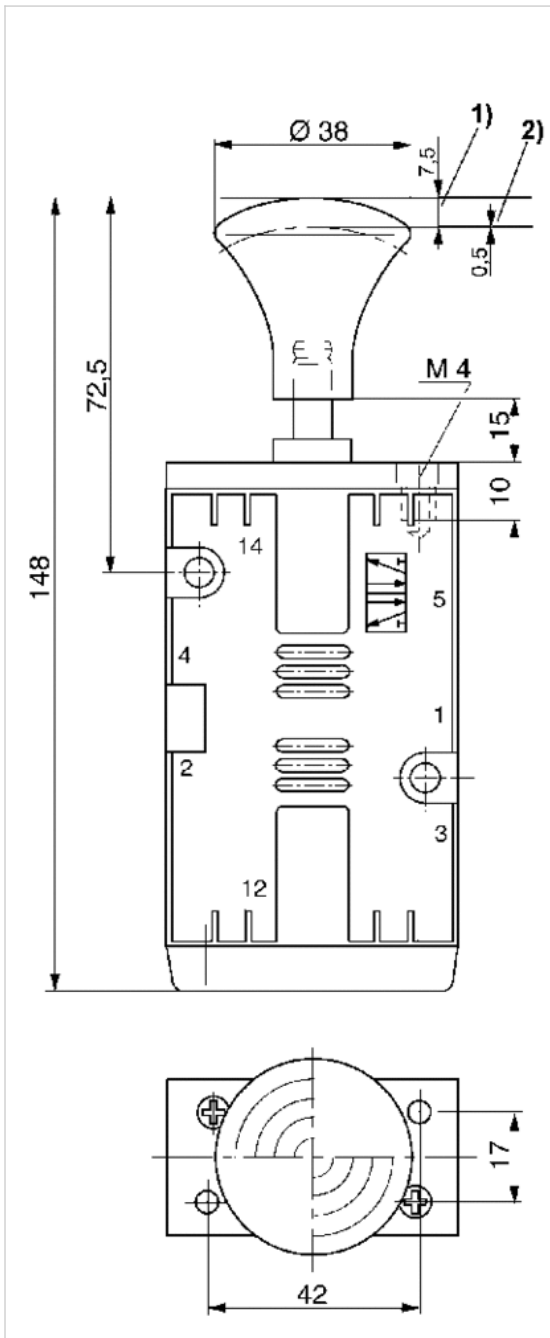
Dimensions Fig. 5



1) control panel installation (holes in mounting panel)

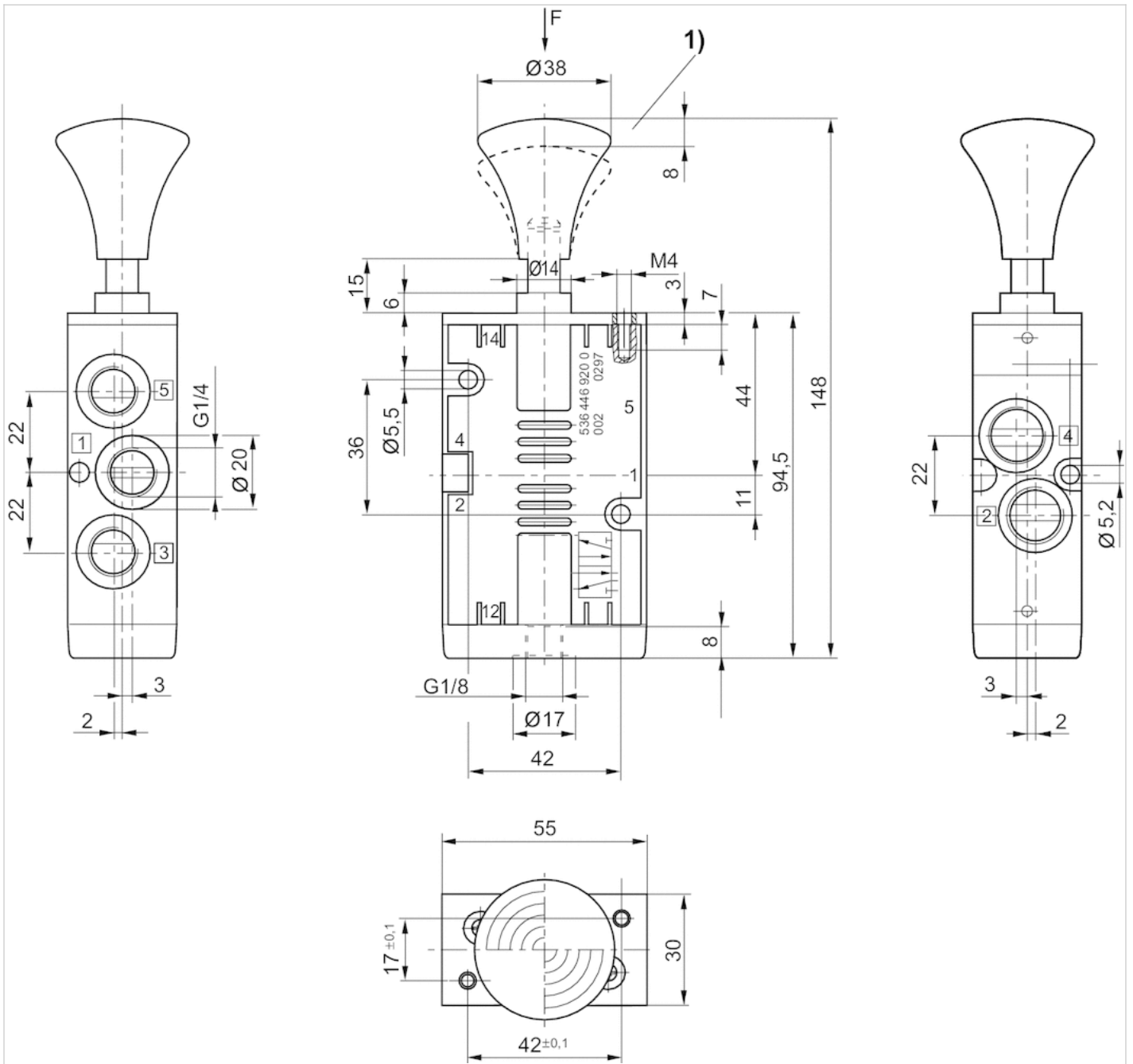
2) possible lever positions (basic position of hand lever adjustable in 90° steps after loosening screw "S1").

Dimensions Fig. 6



1) Stroke 2) Overstroke

Dimensions Fig. 7



1) Stroke